



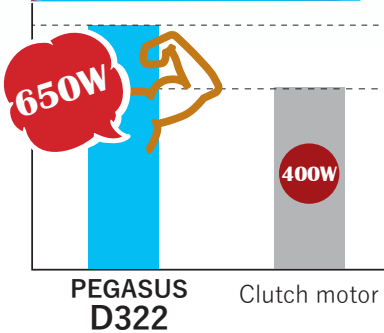
PEGASUS®

W3500P, W3600P /D322 Series

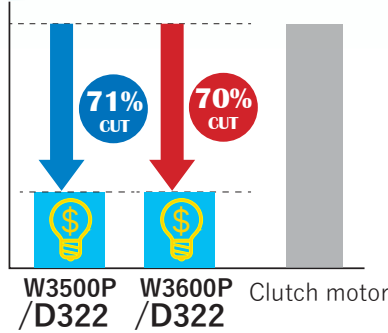
Equipped with Direct Drive Motor

ORIGINAL MOTOR

Powerful !!

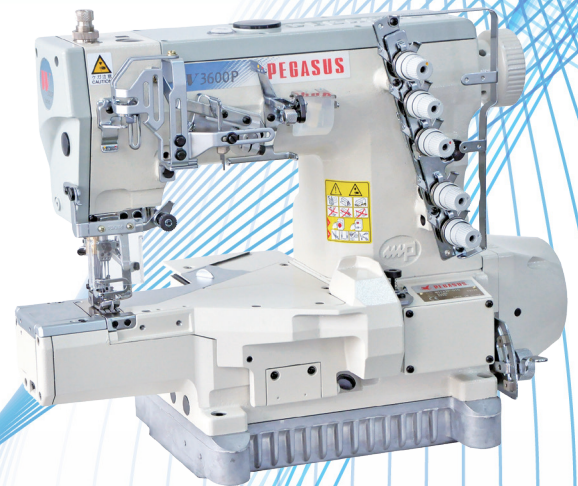


Electricity Save!!



※With a machine speed of 4,000 sti/min, intermittent drive (2 sec drive and 2 sec stop)

NEW



W3600P/D322 series
Cylinderbed, interlock stitch machine

NEW



W3500P/D322 series
Flatbed, interlock stitch machine

Equipped with Direct Drive Motor

● Pegasus Original Motor

Designed and manufactured by PEGASUS.

PEGASUS Original

● CE Marking

Compliance to standards in EU.



● User Friendly

- Quick and Easy Installation.
- Motor Structure
 - Sealed Motor Coil **Patented Design**
 - Dust Protection and Heat Prevention.
 - No Coupling
 - Direct Transmission and Easy Setup.
- High power, 650W.

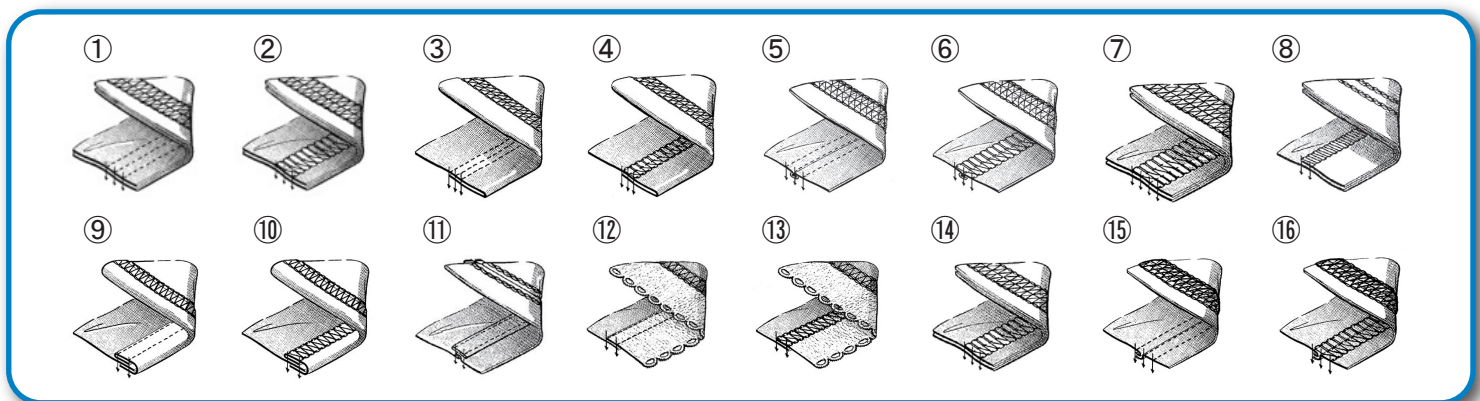


● W3500P/D322 : Flatbed, interlock stitch machine

Seam	Application	Subclass	No. of needles	No. of threads	Needle space (mm)	Max speed (sti/min)	Standard equipments / Accessories	Optional devices	Remarks
①②③ ④⑤⑥	Plain seaming (Covering) (Hemming)	W3562P-01G /D322	2	4	3.2•4.0•4.8	5,000	Covering and hemming guide		
			3	5	5.6•6.4				
⑦	Plain seaming	W3562P-01D /D322	4	6	6.0	4,200		KH.PL	
⑧	Pocket facing	W3522AHP-01F /D322	2	5	6.4	5,000		KH.PL	
⑨⑩	Binding tape	W3562P-02G /D322	2	4	3.2•4.0•4.8	5,000	Tape stand	PL	
			3	5	5.6•6.4				
⑪	Attaching tape	W3522P-04A /D322	2	4	9.5	5,000		PL	
		W3522P-04B /D322	2	4	6.4	5,000		PL	
⑫⑬	Attaching elastic lace	W3562P-05B /D322	2	4	3.2•4.0	5,000	FT	MD.PL.LC	
			3	5	5.6•6.4				
⑭	Stitching heavy weight fabric	W3562HP-21B /D322	3	5	5.6•6.4	5,000			
⑨⑩	Stitching heavy weight fabric (Binding tape)	W3562HP-23B /D322	3	5	5.6	5,000		PL	
		W3562BP-23B /D322	2	4	5.6	4,000		PL	Super high stroke

● W3600P/D322 : Cylinderbed, interlock stitch machine

Seam	Application	Subclass	No. of needles	No. of threads	Needle space (mm)	Max speed (sti/min)	Standard equipments / Accessories	Optional devices	Remarks
①②③ ④⑤⑥	Plain seaming (Covering) (Hemming)	W3662P-01G /D322	2	4	3.2•4.0•4.8	5,000	Covering and hemming guide	RP	
			3	5	5.6•6.4				
⑤⑥ ⑮⑯	Covering	W3662P-03F /D322	2	4	4.0•4.8	5,000	Covering guide		-03F : Flattening out overlock seams -03G : Folding over overlock seams
			3	5	5.6•6.4				
		W3662P-03G /D322	2	4	4.0•4.8				
			3	5	5.6•6.4				
⑫⑬	Attaching elastic lace	W3662P-05B /D322	2	4	3.2	5,000	FT	LC,MD	
			3	5	5.6•6.4				
③④	Hemming	W3662P-08B /D322	2	4	4.0•4.8	5,000	Hemming guide	RP	
			3	5	5.6•6.4				



This Anti-copy (-counterfeit) Sticker certifies that the sewing machine is a genuine product of PEGASUS SEWING MACHINE MFG. CO., LTD. If you look at this sticker through an exclusive "viewer," an original PEGASUS hidden image will appear.

PEGASUS SEWING MACHINE MFG. CO., LTD.

5-7-2 Sagisu Fukushima-ku, Osaka 553-0002 Japan TEL : +81-6-6458-4739 / FAX : +81-6-6454-8785

<http://www.pegasus.co.jp>

※ The specifications and/or appearances described in this catalog are subject to change without previous notice.

©2019 PEGASUS SEWING MACHINE MFG. CO., LTD.
Catalog No. 103101 Produced April 2019.





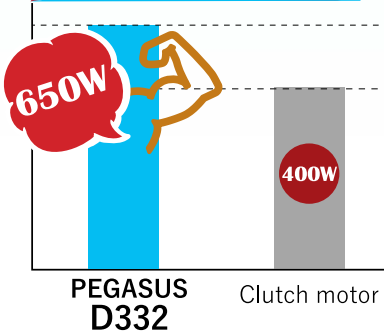
PEGASUS®

W3500P, W3600P /D332 Series

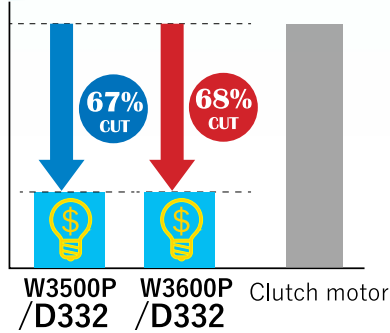
Equipped with Direct Drive Motor

ORIGINAL MOTOR

Powerful !!

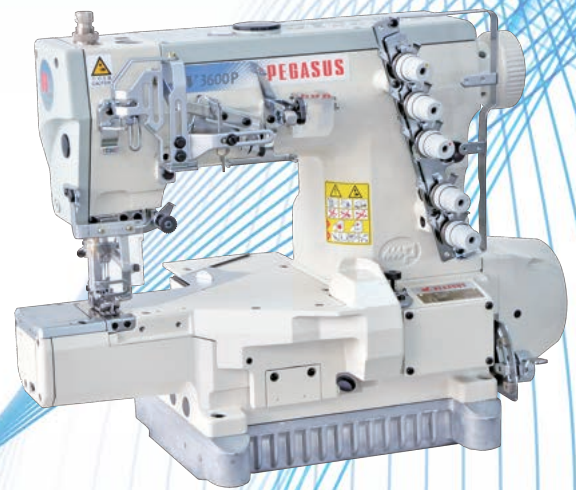


Electricity Save!!



※With a machine speed of 4,000 sti/min, intermittent drive (2 sec drive and 2 sec stop)

NEW



W3600P/D332 series
Cylinderbed, interlock stitch machine

NEW



W3500P/D332 series
Flatbed, interlock stitch machine

Equipped with Direct Drive Motor

● Pegasus Original Motor

Designed and manufactured by PEGASUS.

PEGASUS Original

● CE Marking

Compliance to standards in EU.



● User Friendly

- Quick and Easy Installation.
- Motor Structure
 - Sealed Motor Coil **Patented Design**
 - Dust Protection and Heat Prevention.
 - No Coupling
 - Direct Transmission and Easy Setup.
- High power, 650W.

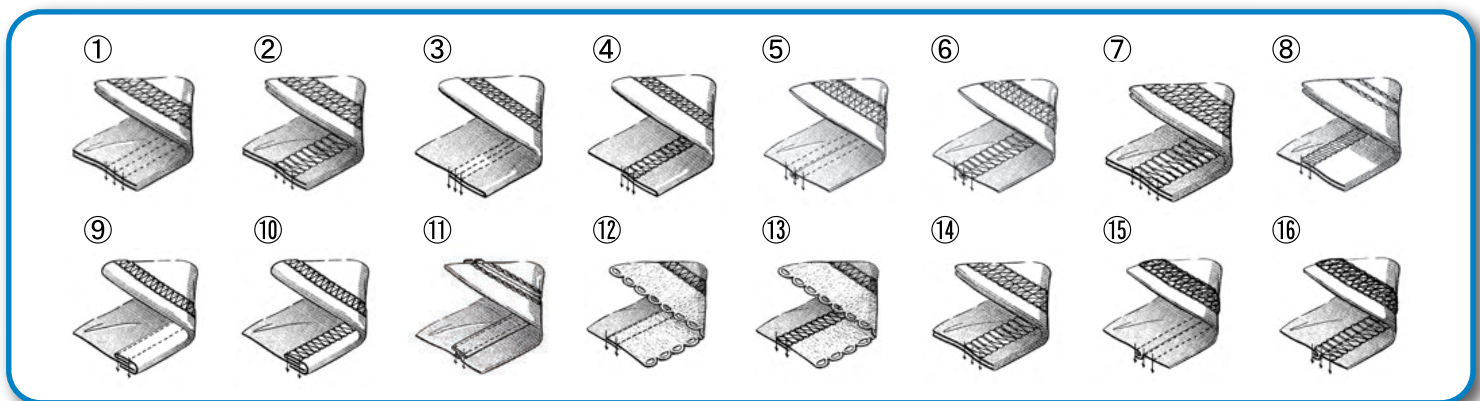


● W3500P/D332 : Flatbed, interlock stitch machine

Seam	Application	Subclass	No. of needles	No. of threads	Needle space (mm)	Max speed (sti/min)	Standard equipments / Accessories	Optional devices	Remarks
①②③ ④⑤⑥	Plain seaming (Covering) (Hemming)	W3562P-01G /D332	2	4	3.2•4.0•4.8	5,000	Covering and hemming guide		
			3	5	5.6•6.4				
⑦	Plain seaming	W3562P-01D /D332	4	6	6.0	4,200		KH.PL	
⑧	Pocket facing	W3522AHP-01F /D332	2	5	6.4	5,000		KH.PL	
⑨⑩	Binding tape	W3562P-02G /D332	2	4	3.2•4.0•4.8	5,000	Tape stand	PL	
			3	5	5.6•6.4				
⑪	Attaching tape	W3522P-04A /D332	2	4	9.5	5,000		PL	
		W3522P-04B /D332	2	4	6.4	5,000		PL	
⑫⑬	Attaching elastic lace	W3562P-05B /D332	2	4	3.2•4.0	5,000	FT	MD.PL.LC	
			3	5	5.6•6.4				
⑭	Stitching heavy weight fabric	W3562HP-21B /D332	3	5	5.6•6.4	5,000			
⑨⑩	Stitching heavy weight fabric (Binding tape)	W3562HP-23B /D332	3	5	5.6	5,000		PL	
		W3562BP-23B /D332	2	4	5.6	4,000		PL	Super high stroke

● W3600P/D332 : Cylinderbed, interlock stitch machine

Seam	Application	Subclass	No. of needles	No. of threads	Needle space (mm)	Max speed (sti/min)	Standard equipments / Accessories	Optional devices	Remarks
①②③ ④⑤⑥	Plain seaming (Covering) (Hemming)	W3662P-01G /D332	2	4	3.2•4.0•4.8	5,000	Covering and hemming guide	RP	
			3	5	5.6•6.4				
⑤⑥ ⑮⑯	Covering	W3662P-03F /D332	2	4	4.0•4.8	5,000	Covering guide		-03F : Flattening out overlock seams -03G : Folding over overlock seams
			3	5	5.6•6.4				
		W3662P-03G /D332	2	4	4.0•4.8				
			3	5	5.6•6.4				
⑫⑬	Attaching elastic lace	W3662P-05B /D332	2	4	3.2	5,000	FT	LC,MD	
			3	5	5.6•6.4				
③④	Hemming	W3662P-08B /D332	2	4	4.0•4.8	5,000	Hemming guide	RP	
			3	5	5.6•6.4				



This Anti-copy (-counterfeit) Sticker certifies that the sewing machine is a genuine product of PEGASUS SEWING MACHINE MFG. CO., LTD. If you look at this sticker through an exclusive "viewer," an original PEGASUS hidden image will appear.

PEGASUS SEWING MACHINE MFG. CO., LTD.

5-7-2 Sagisu Fukushima-ku, Osaka 553-0002 Japan TEL : +81-6-6458-4739 / FAX : +81-6-6454-8785

<http://www.pegasus.co.jp>

※ The specifications and/or appearances described in this catalog are subject to change without previous notice.

©2020 PEGASUS SEWING MACHINE MFG. CO., LTD.
Catalog No. 103130 Produced October 2020.

